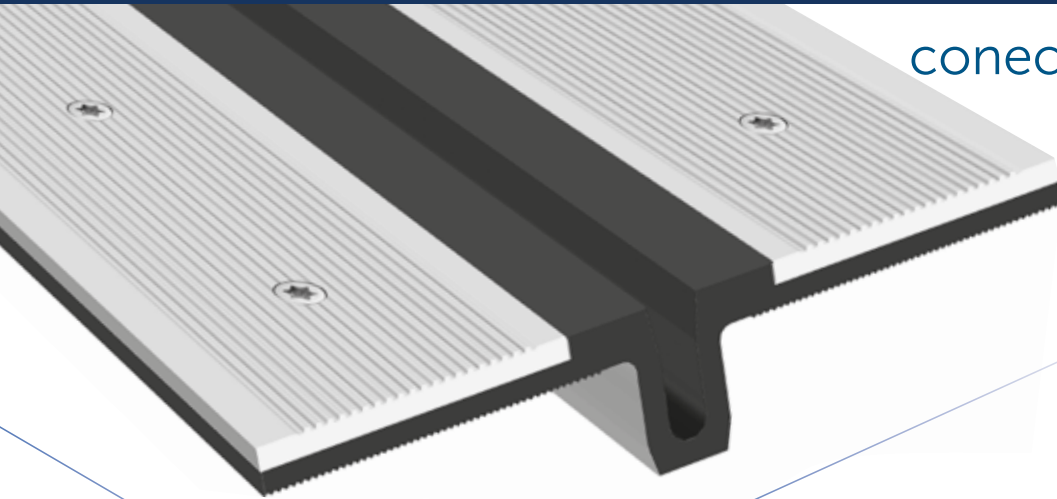


conecto **Park SL 190.30**



conecto **Park SL**

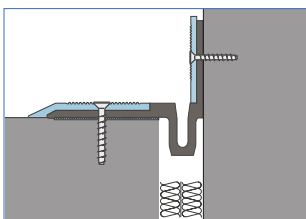
This is an excellent watertight joint proofing system made of highly modified PVC, and overlaps made of aluminum, stainless steel or galvanized steel. Covers can be installed directly onto the reinforced concrete slab or to the concrete overlay layer.

We can also offer solutions that can be easily employed from 20 mm to 70 mm gap. Joint perfectly compensates construction move-

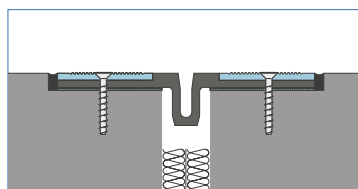
ments, horizontal up to 30 mm and vertical up to 20 mm.

This solution is recommended when concrete top floor is too thin for groove or when no grooves were provided during concreting. The profile can be installed in the overlapping or aligned version. Elastomer is glued to the surface using special activators, primers and renowned companies' adhesives designed in lab conditions.

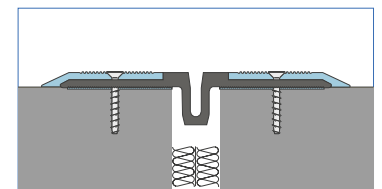
This solution guarantees watertight and solid connection between elastomer and concrete. Elastomer is also protected by aluminium metal to increase adhesion and protects elastomer from mechanical damage during exploitation. No expansion bolts are required for the joint's installation, which allows it to be installed near the expansion edge without damaging it.



SL 190.30 CV



SL 190.30 W



SL 190.30 N

Conecto Park SL	Visible element (mm)	Gap width (mm)	Method of installation	Installation height (mm)	Material type	Maximum load (kN)	Horizontal/Vertical compensation (mm)
SL 190.30 N	215	20÷40	cover	10	aluminum, EPDM	600	40 (±20) 30 (±15)
SL 190.30 W	190	20÷40	groove	10	aluminum, EPDM	600	40 (±20) 30 (±15)
SL 190.30 CV	124	20÷40	corner	10	aluminum, EPDM	600	40 (±20) 30 (±15)