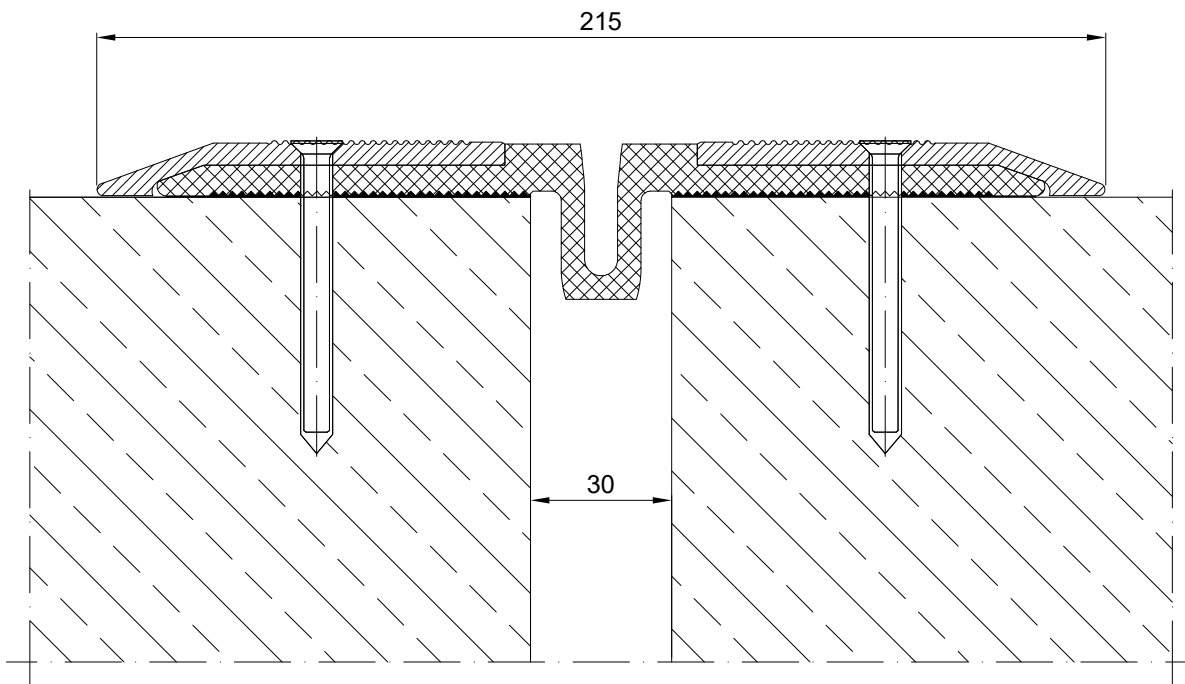


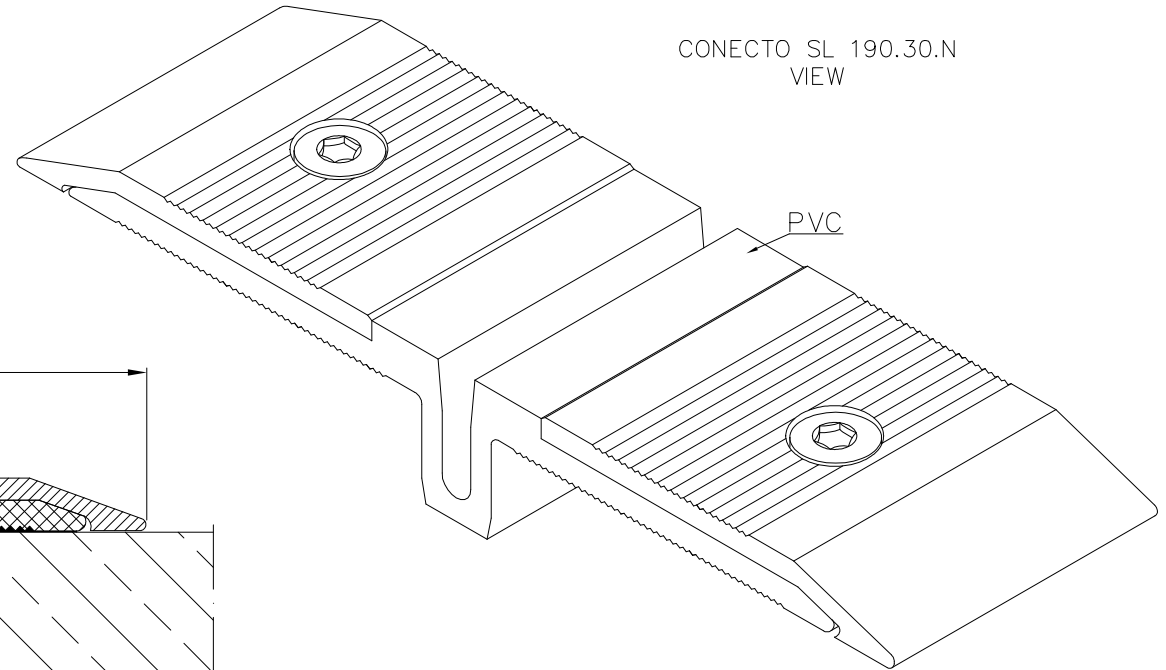
INFORMATION TABLE

Profile type	Visible element [mm]	Joint width [mm]	Base width [mm]	Installation height [mm]	Material type	Maximum load [kN]	Horizontal/Vertical compensation [mm]
SL190.30.N	215	30	overlapping version	10	Aluminum, PVC	600	40(±20) 30(±15)

CONECTO SL 190.30.N
SECTION



CONECTO SL 190.30.N
VIEW



Expansion joint Conecto SL 190.30.N

Conecto Profiles Sp. z o.o.
ul. Przemysłowa 39
61-541 Poznań
www.conecto-profiles.com



ROZMIAR / SIZE
A3

SKALA / SCALE
1:1

Wszystkie wymiary podano w [mm]
All dimensions in [mm]

PROJEKT	PROJECT	ZŁOŻENIE	SUB ASSEMBLY	RYSunEK	DRAWING	ARKUSZ SHEET	WER REV
--		--			01	1 Z OF 1	